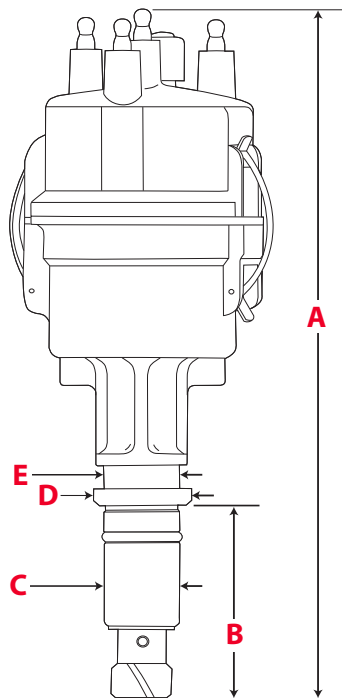


PERIRONIX

IGNITION PRODUCTS

INDUSTRIAL DISTRIBUTORS



PART #	A	B	C	D	E	DRIVE	ROTATION
D21-11A	8.29"	2.85"	1.06"	-	-	GEAR	CW
D21-12A	7.88"	2.46"	1.06"	-	-	GEAR	CCW
D23-02A	9.21"	2.71"	1.06"	1.36"	1.05"	GEAR	CCW
D33-03AM	9.51"	2.71"	1.06"	1.36"	1.05"	GEAR	CCW
D41-01A	8.55"	2.34"	1.06"	1.60"	1.12"	TANG	CW
D41-05A	7.58"	1.31"	1.06"	1.36"	1.05"	TANG	CCW
D41-09B	7.88"	2.62"	1.06"	-	-	GEAR	CCW
D41-10B	7.88"	2.66"	1.06"	-	-	GEAR	CCW
D41-19A	8.80"	2.53"	1.06"	1.60"	1.12"	TANG	CW
D41-20A	8.25"	2.13"	1.06"	1.69"	1.05"	GEAR	CCW
D41-26A	8.25"	2.13"	1.06"	1.69"	1.05"	GEAR	CCW
D41-27A	8.25"	2.13"	1.06"	1.69"	1.05"	GEAR	CCW
D41-28A	8.25"	2.13"	1.06"	1.69"	1.05"	GEAR	CCW
D43-04B	9.21"	2.71"	1.06"	1.36"	1.05"	GEAR	CCW
D61-06A	7.64"	1.31"	1.06"	1.36"	1.05"	TANG	CCW
D61-12A	7.64"	1.31"	1.06"	1.36"	1.05"	TANG	CCW
D61-19B	7.64"	1.31"	1.06"	1.36"	1.05"	TANG	CCW

QUESTIONS? (909) 599-5955