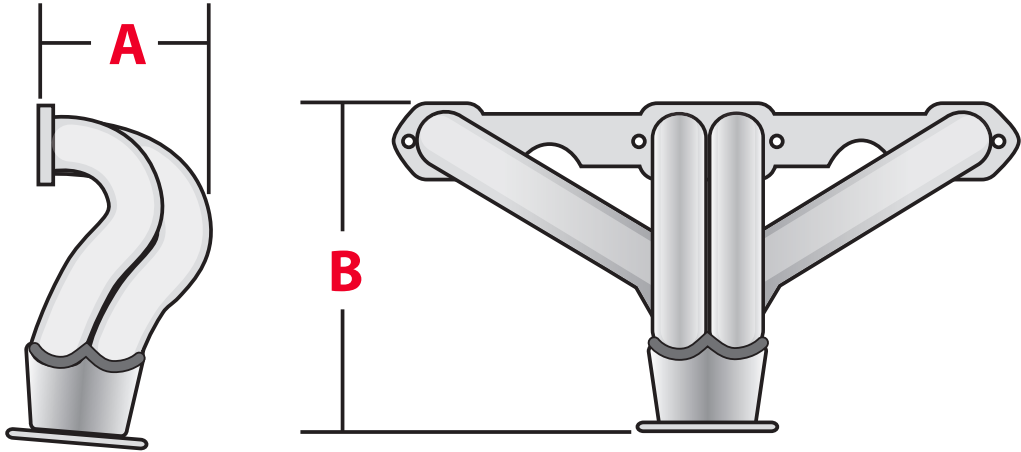




TIGHT TUCK HEADERS



PART #	A LEFT	A RIGHT	B LEFT	B RIGHT
H8006	3 1/2"	3 1/2"	12"	12"
H8014, H8064	4"	4"	11"	11"
H8019, H8500	4 1/2"	4 1/2"	10"	10"
H8027, H8028	4"	4"	10"	10"
H8029	4 1/2"	4 1/2"	12 1/4"	12 1/4"
H8037	4"	4"	12"	12"
H8052, H8053	4"	4"	6"	6"
H8065	3 1/2"	3 1/2"	11"	11"
H8066	2"	2"	8 1/2"	8 1/2"
H8067	3 1/2"	4"	5 1/4"	7 1/2"
H8080	4 1/2"	4"	8"	8 1/2"
H8090	4"	4"	9"	9"
H8204	3"	3"	10"	10"
H8205	3"	3"	10 1/2"	10 1/2"
H8427, H8428	4 1/2"	4 1/2"	11"	11"
H8437	5"	5"	12"	12"
H8482	2"	2 3/4"	11 1/2"	11 1/2"